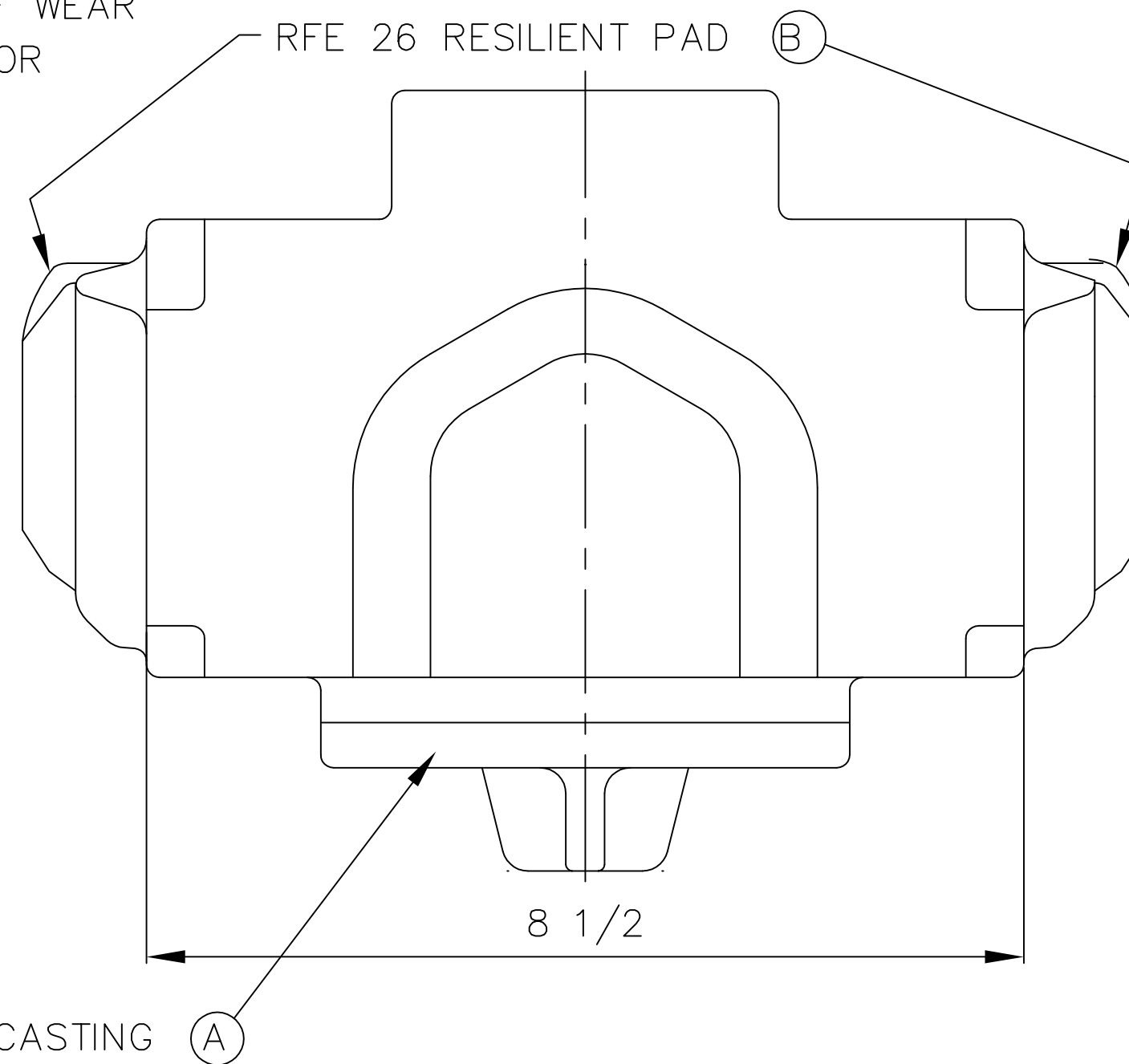


LIMIT OF WEAR INDICATOR



NOTES:

1. MATERIAL - (A) CAST IRON
(B) URETHANE
2. RFE 53 FRICTION CASTING TO BE USED IN CONJUNCTION WITH RFE 26 RESILIENT PAD ONLY.

A. STUCKI CO.	
RFE 53 ELASTOWEDGE™ ELEMENT	
11-8-99	SA-O-06200-A