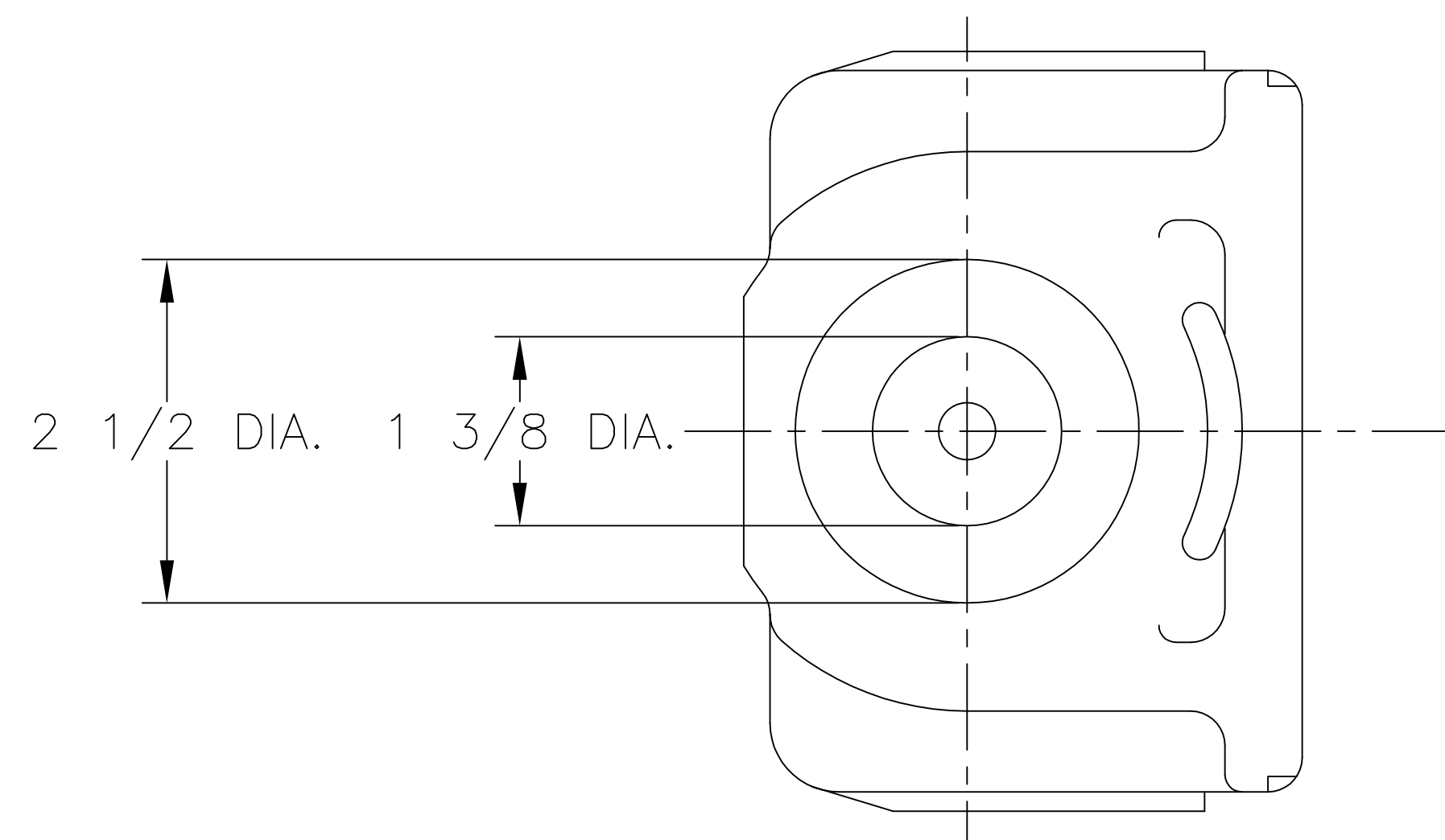


NOTES:

1. MATERIAL - (A) CAST IRON
(B) URETHANE
2. RFE 16 FRICTION CASTING TO BE USED IN CONJUNCTION WITH RFE 16 RESILIENT PAD ONLY.



FOR USE IN DOUBLE SIDE COILS ARRANGEMENTS
WITH D-5 TRUCK SPRING GROUPS.
PART NO. RFE16D5DC

A. STUCKI CO.

RFE 16 DOUBLE SIDE COIL
ELASTOWEDGE™ ELEMENT

4-9-84 SA-O-03372-A