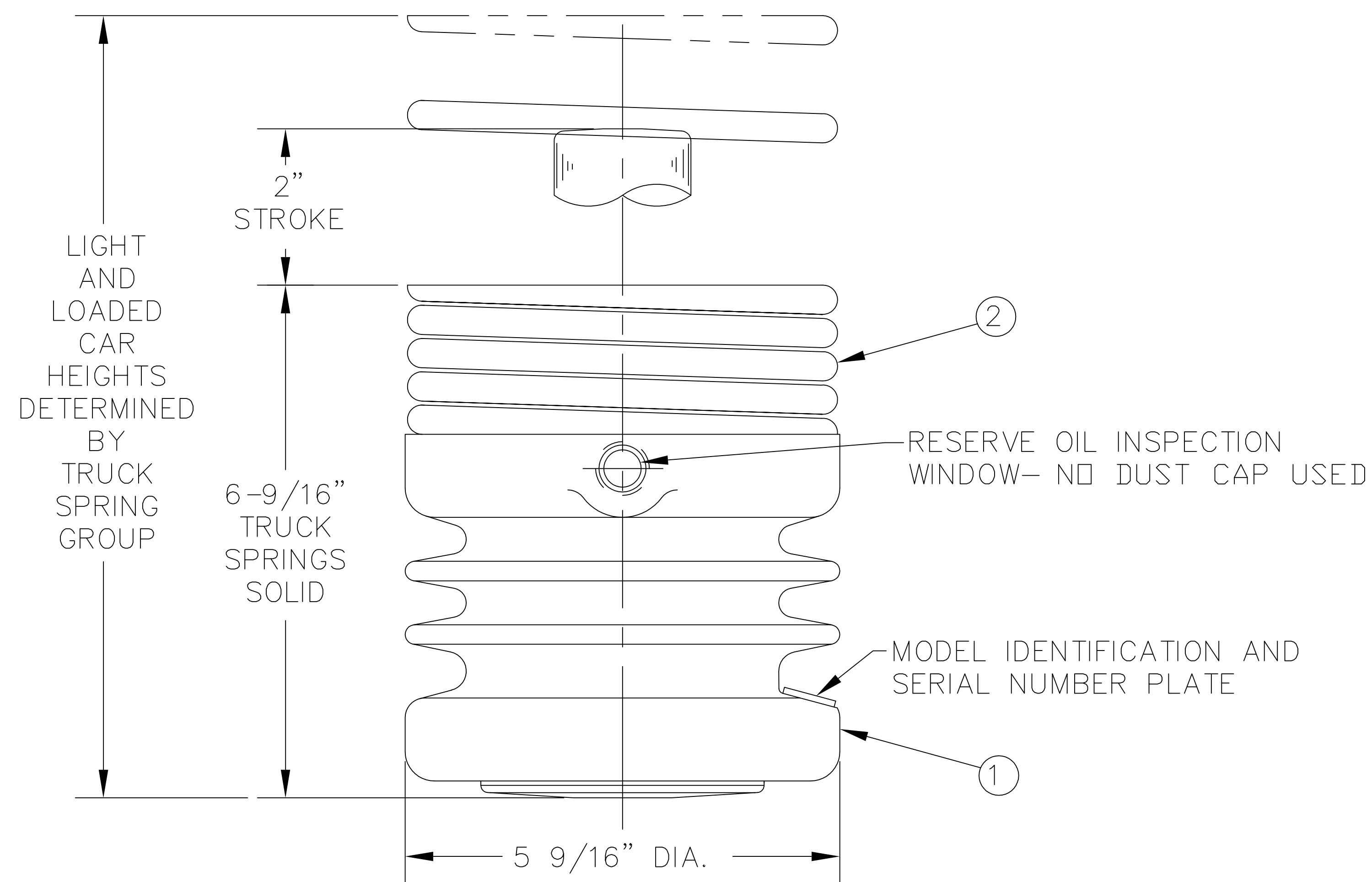


DIMENSIONS FOR LIGHT CAR AND LOADED CAR ARE DETERMINED BY THE SPRING GROUP ARRANGEMENT. TYPICAL SPRING GROUPS AND CORRESPONDING HEIGHTS FOR 100 TON CARS CAN BE FOUND ON DRAWING SA-A-02591-A AND SA-A-02742-A.



PART DESCRIPTION

- ① STABILIZER BODY
- ② BODY SPRING

A. STUCKI CO.

HS-10 RIDE STABILIZER

4-28-81 SA-O-02596-A