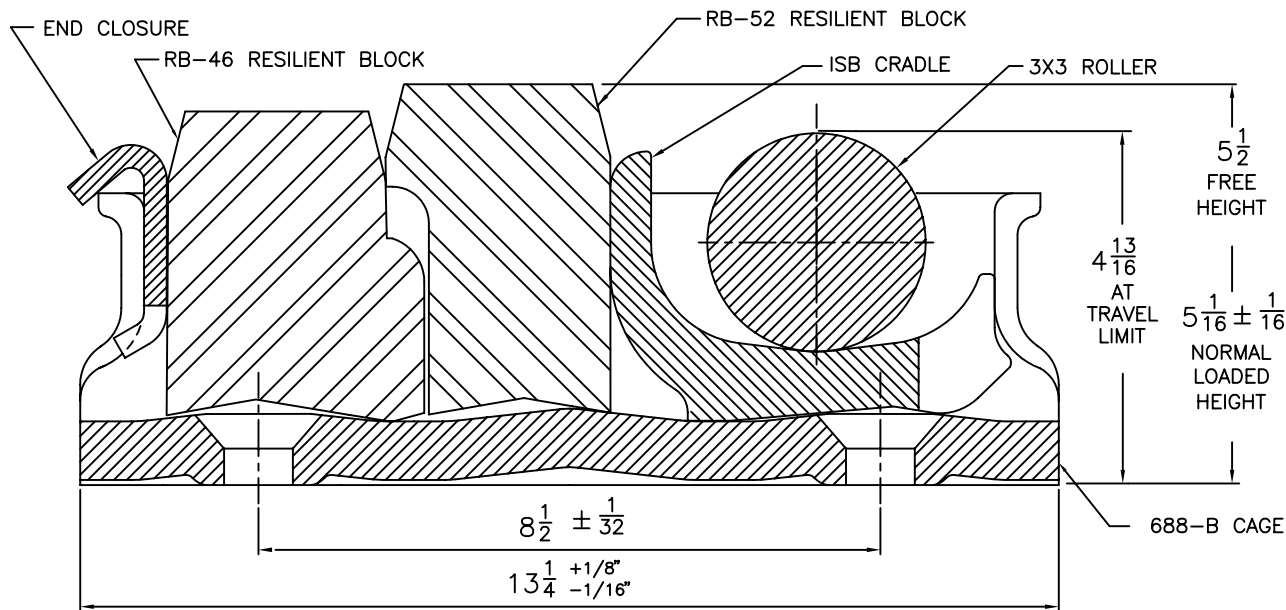
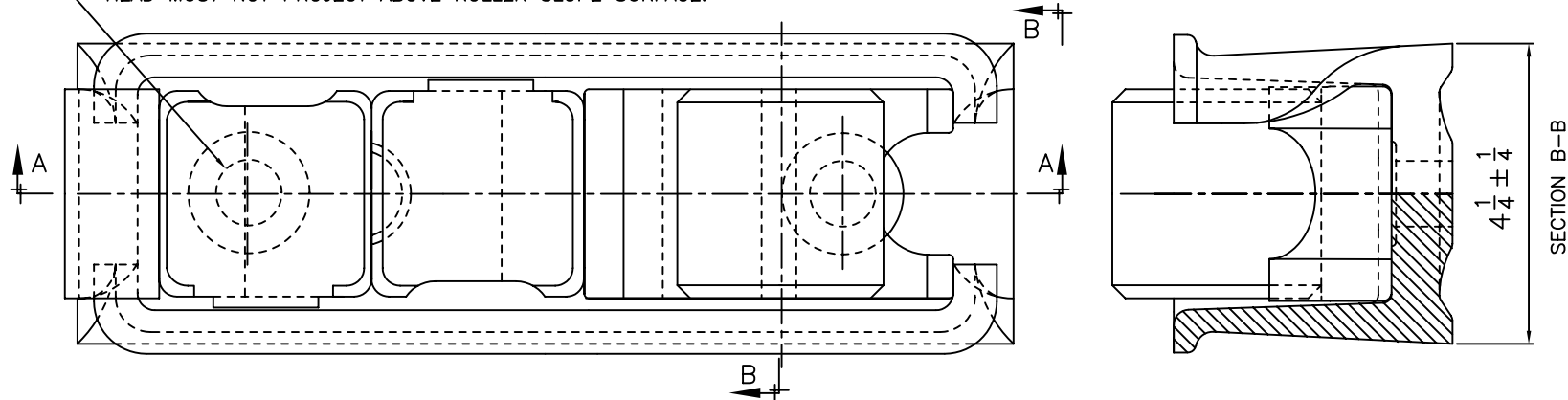


15/16 NOM. DIA. HOLES FOR 7/8 DIA. COUNTERSUNK FASTENER. MAXIMUM CLAMPING FORCE MUST NOT EXCEED 35,000 LBS. PER FASTENER. HEAD MUST NOT PROJECT ABOVE ROLLER SLOPE SURFACE.



NOTES:

1. FORCE AT 5 1/16 = 4,500 LBS. PER SIDE BEARING. (AT 75° F, AFTER INITIAL RELAXATION)
2. MEETS REQUIREMENTS OF M-948-77 WHEN INSTALLED IN CARS WITH MINIMUM CARBODY WT. 28,250 LBS.
3. IN NORMAL OPERATION, NEITHER LONGITUDINAL OR LATERAL MOTION IS IMPEDED BY SOLID STOPS.

UTILIZES STANDARD 688-B DOUBLE ROLLER CAGE

SECTION A-A

CAGE BOTTOM FLATNESS MEETS A.A.R. SPEC. M-210-81, FIG. 29-B

ROLLER & CAGE HIGH CARBON ROLLED STEEL MILL VARIATIONS ALLOWED

* - MUST BE INSTALLED IN ACCORDANCE WITH, "INSTALLATION INSTRUCTION FOR STUCKI ISB-9DR RESILIENT SIDE BEARINGS".

A. STUCKI CO.	
ISB-9DR TRUCK SIDE BEARING	
5-31-94	08085