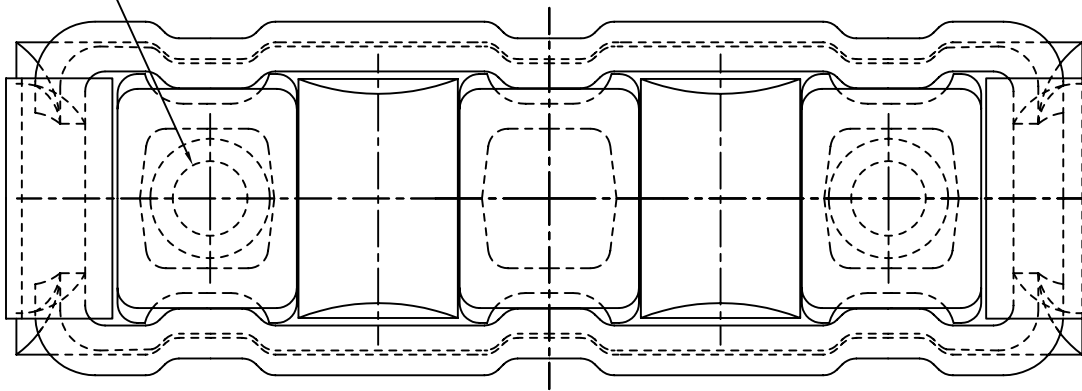
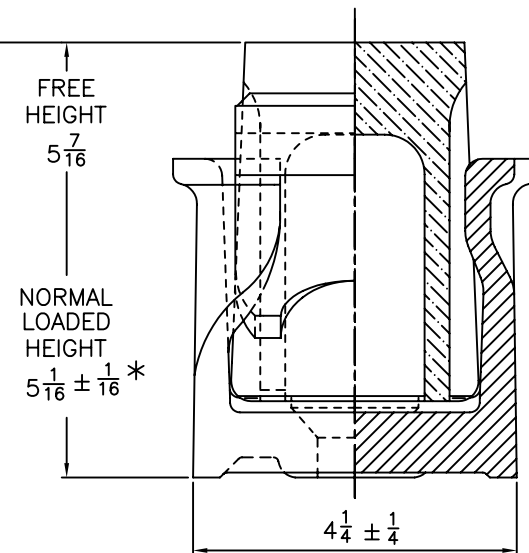
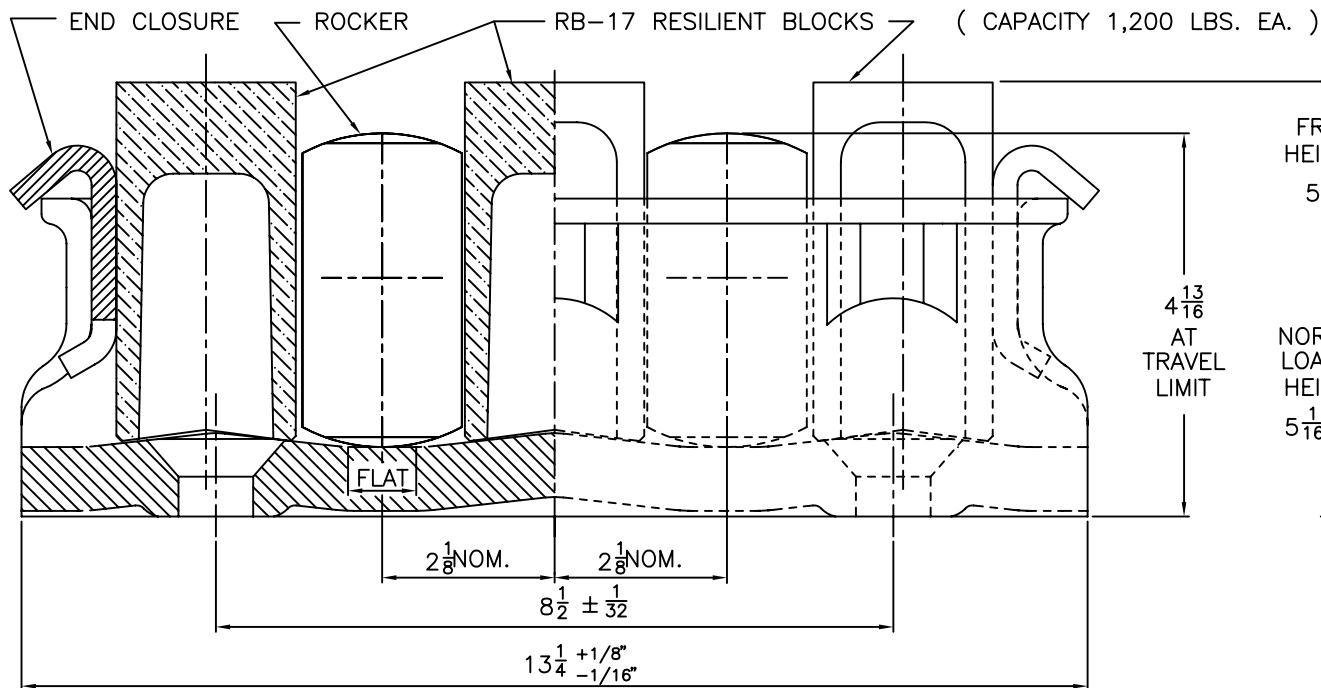


$\frac{15}{16}$  NOM. DIA. HOLES -  $\frac{7}{8}$  DIA. COUNTERSUNK FASTENER, MAXIMUM CLAMPING FORCE MUST NOT EXCEED 35,000 LBS. PER FASTENER. HEAD MUST NOT PROJECT ABOVE ROLLER SLOPE SURFACE.



NOTES:

1. FORCE AT  $5\frac{1}{16}$  = 3,600 LBS. PER SIDE BEARING.
2. MEETS REQUIREMENTS OF M-948-77 WHEN INSTALLED IN CARS WITH MINIMUM CARBODY WT. 16,950 LBS.
3. IN NORMAN OPERATION LATERAL OR LONGITUDINAL MOTION IS NOT IMPEDED BY SOLID STOPS.



CAGE BOTTOM FLATNESS MEETS A.A.R. SPEC. S-3013, FIG. 29-B

ROCKERS & CAGE HIGH CARBON ROLLED STEEL MILL VARIATIONS ALLOWED

\* - MUST BE INSTALLED IN ACCORDANCE WITH, "INSTALLATION INSTRUCTION FOR STUCKI 690-RL RESILIENT SIDE BEARINGS.

A. STUCKI CO.	
690-RL SIDE BEARING	
1-4-84	08079