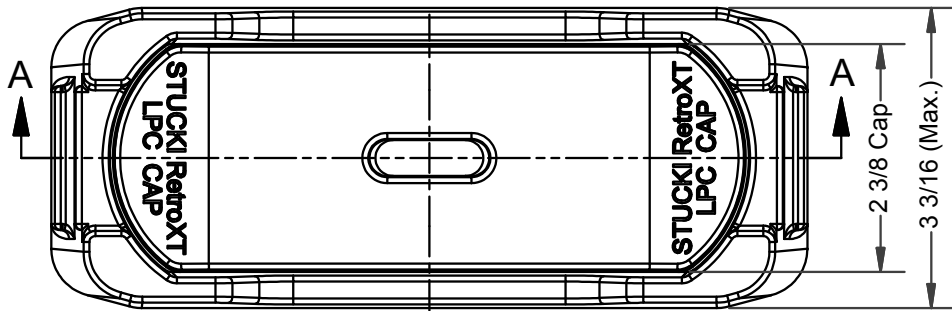
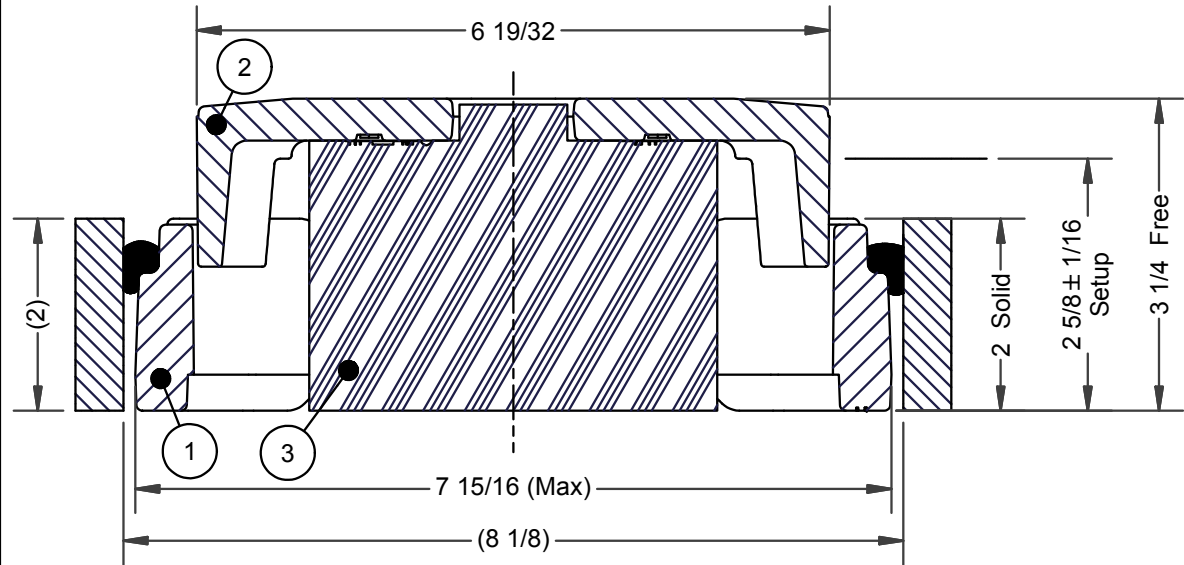


A



B



SECTION A-A

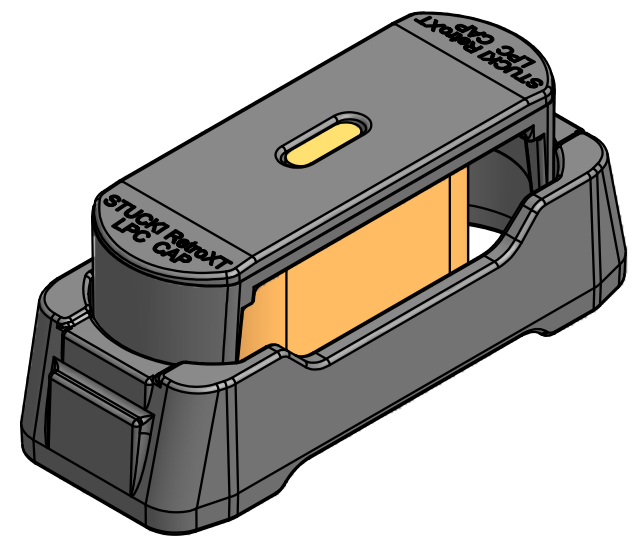
Notes:

1. Force at 2 5/8" = 4500 Lb per side bearing (at 75° F after initial relaxation).
2. Meets requirements of M-948-77 when installed on cars with a minimum car body weight of 21,176 lb.
3. Must be installed in accordance with *Installation Instructions for Stucki RetroXT LPC Drop In Side Bearings*.

Parts List

ITEM	QTY	DESCRIPTION	Order Part No	Eng Dwg No
1	1	RetroXT LPC Drop In Base	RETROXT-LPC-DROP-IN-BASE	07819
2	1	RetroXT LPC Cap	RETROXT-LPC-CAP	07818
3	1	RB-58 Column	RB58	07817

1



B

A

A

A. Stucki Company

Division of Hansen Inc.

2600 Neville Road
Pittsburgh, PA 15225412-771-7300
www.stucki.comTITLE
RetroXT LPC Drop In Side
Bearing

DRAWN JJD	DATE 07/20/05	CONTROL S	DRAWING NUMBER 07820	REV 004
	REVISED 9/11/09			

2

1