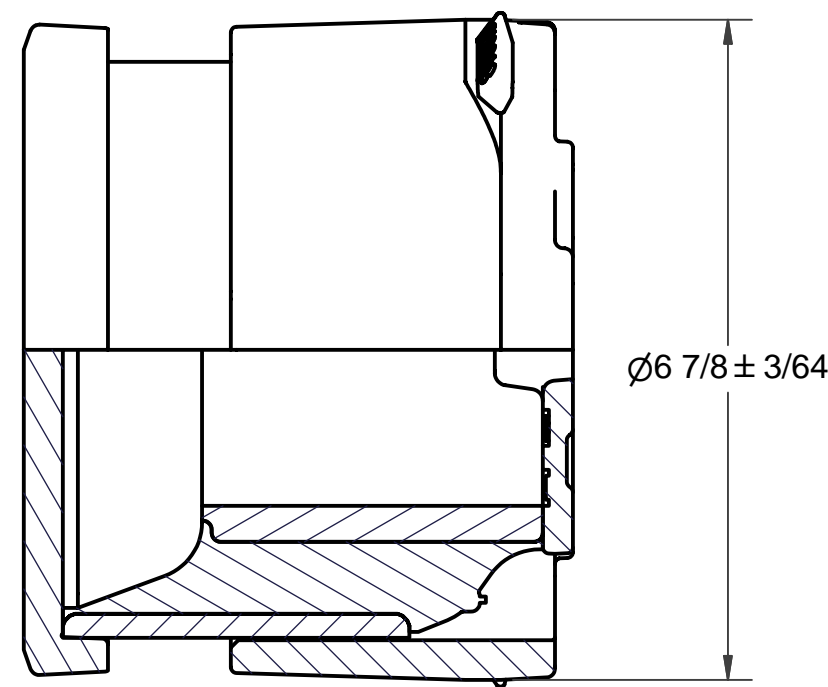
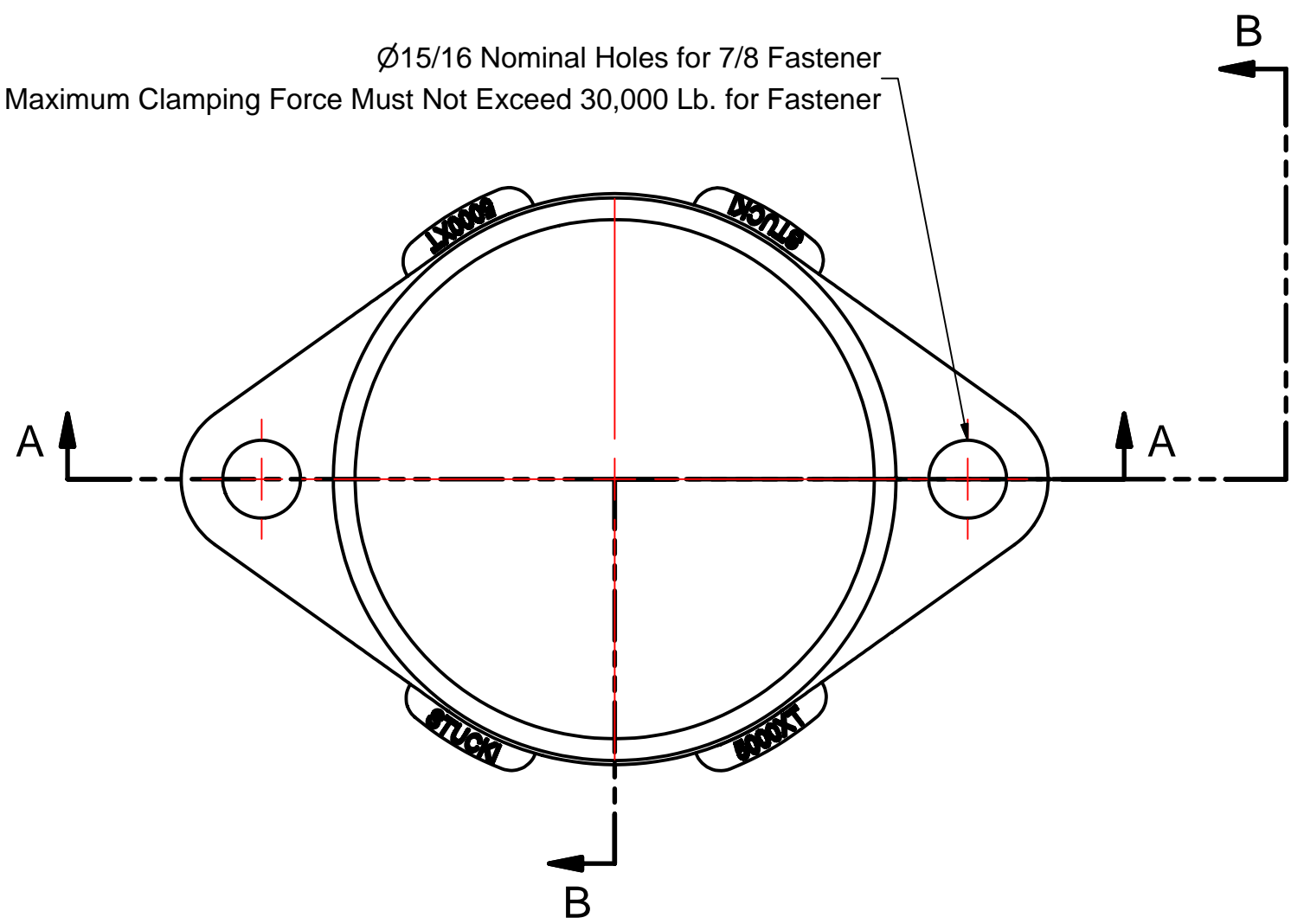
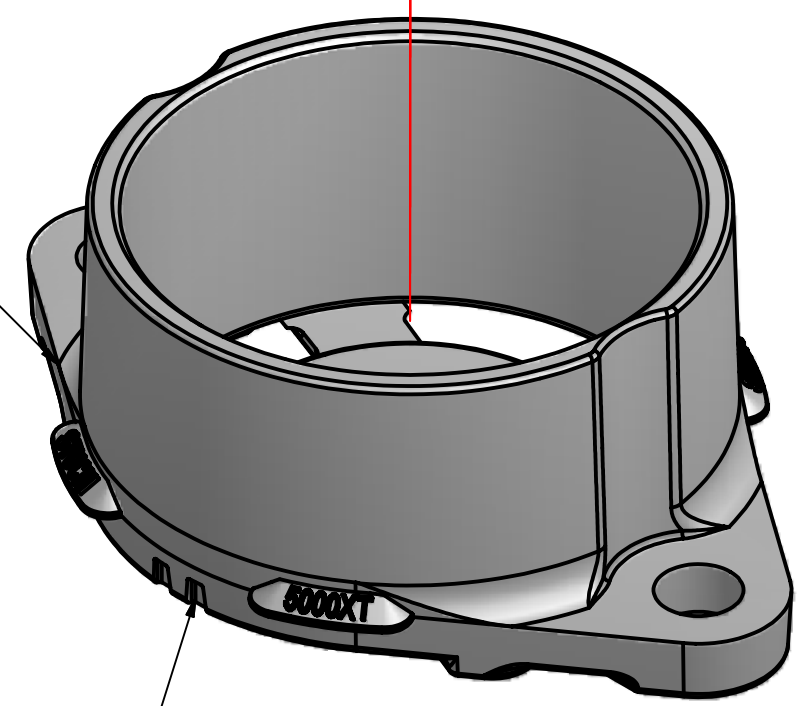
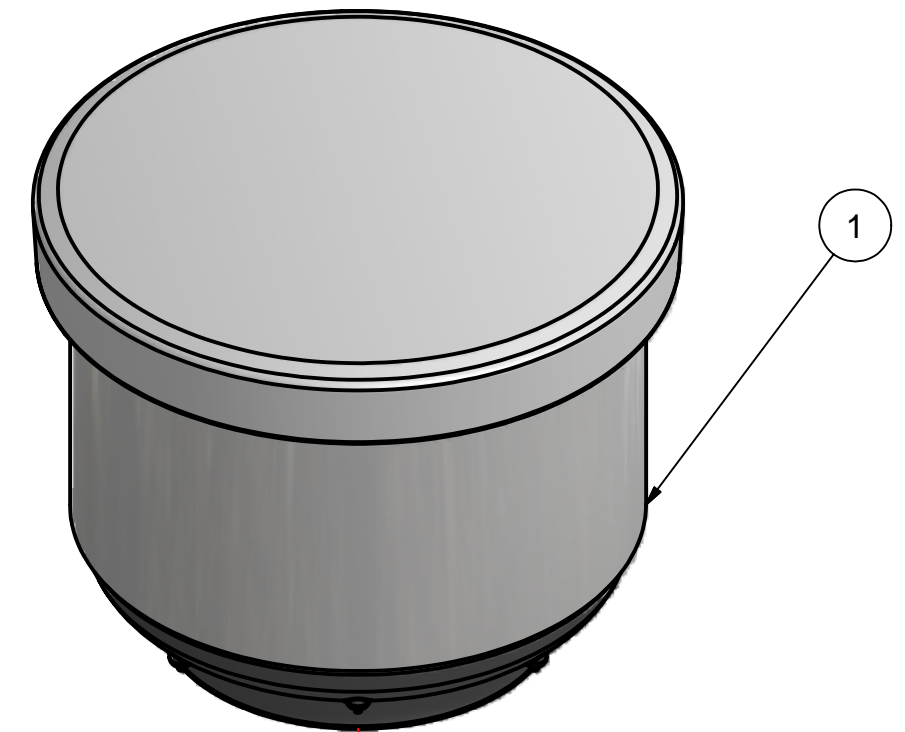


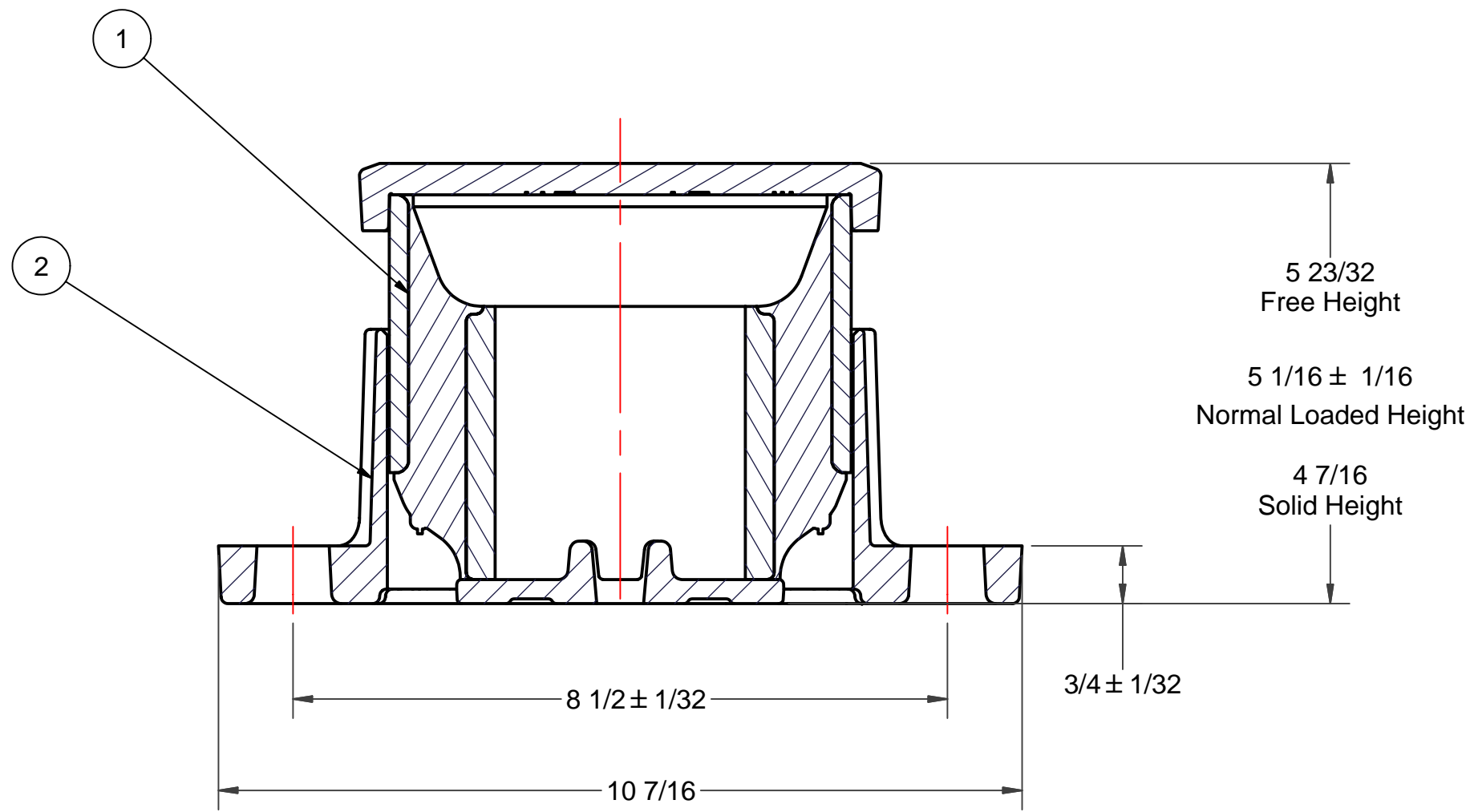
Ø15/16 Nominal Holes for 7/8 Fastener
Maximum Clamping Force Must Not Exceed 30,000 Lb. for Fastener



SECTION B-B



Preload Indicator
5100 Lb. Nominal
2 Notches



SECTION A-A

NOTES:

- Force at 5-1/16" = 5100 Lb. per side bearing (at 75°F after initial relaxation).
- Meets requirements of M-948-77 when installed on cars with minimum car body weight of 24,000 Lb.
- In normal operation, lateral and longitudinal motion is limited to 1/32" by solid stops.
- Must be installed in accordance with *Installation Instructions for Stucki SSB Resilient Side Bearings.*

PARTS LIST			
ITEM	ORDER PART NO.	DESCRIPTION	ENG. DRAWING NO.
1	SSBCA	Shear Side Bearing Cap Assembly	06665
2	5000XTCAGE	5000XT Cage	07490

A. Stucki Company
Division of Hansen Inc.

2600 Neville Road
Pittsburgh, PA 15225

412-771-7300
www.stucki.com

SSB-5000XT[®] Side Bearing

DRAWN	DATE	CONTROL	DRAWING NUMBER	REV
VVB	08/02/04 REVISED 02/28/07	S	07604	003