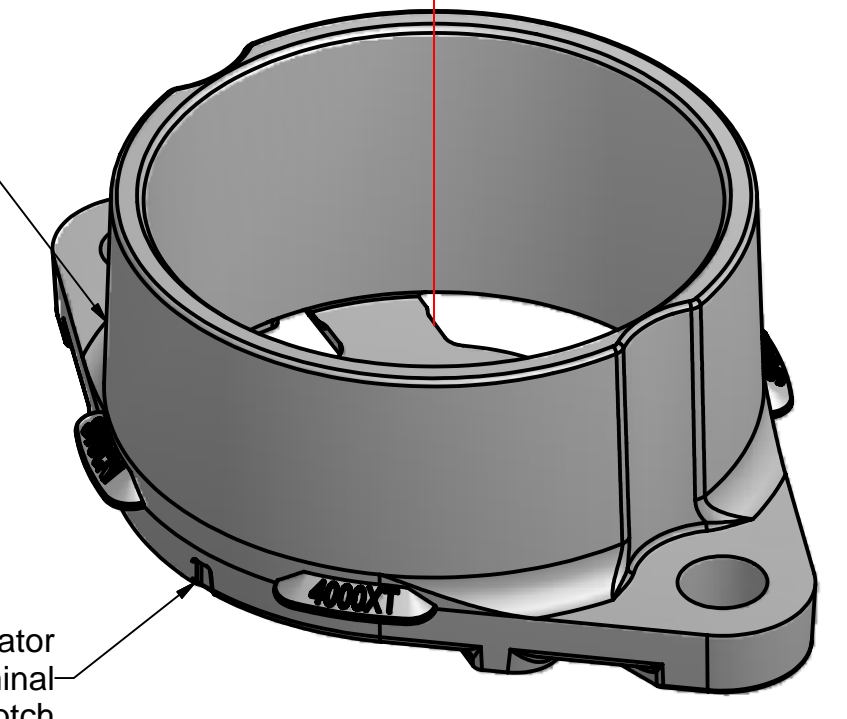
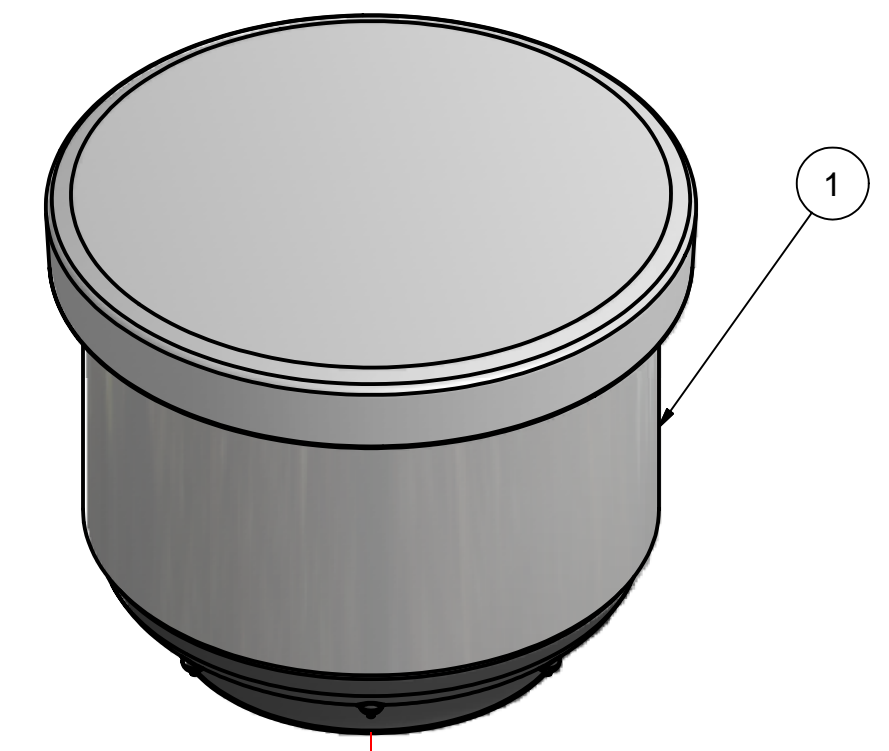
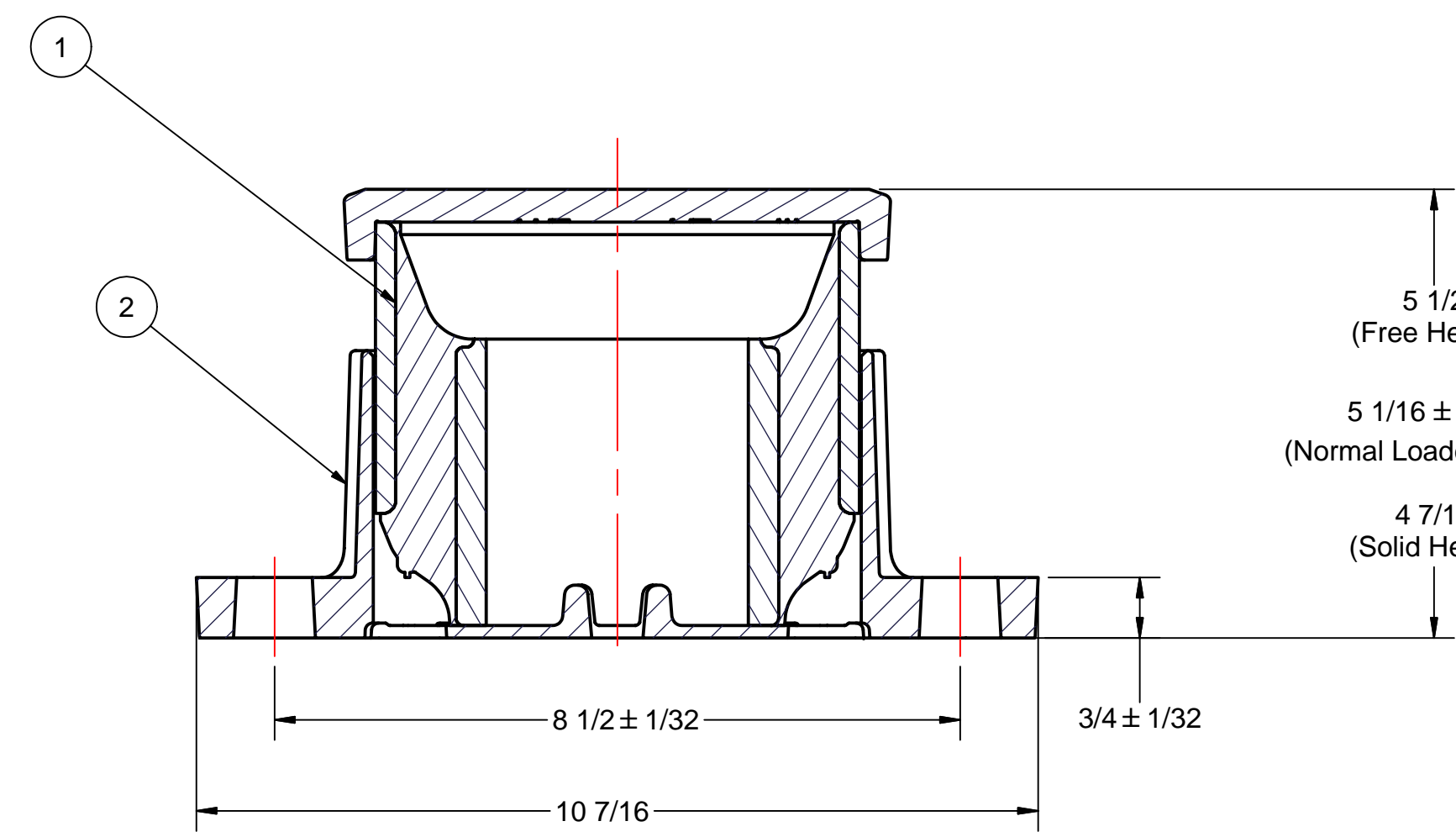


SECTION B-B



Preload Indicator
4200 Lb. Nominal
1 Notch



SECTION A-A

- NOTES:
- Force at $5\text{-}1/16"$ = 4200 Lb. per side bearing (at 75° F after initial relaxation).
 - Meets requirements of M-948-77 when installed on cars with minimum car body weight of 19,764 Lb.
 - In normal operation, lateral and longitudinal motion is limited to $1/32"$ by solid stops.
 - Must be installed in accordance with *Installation Instructions for Stucki SSB Resilient Side Bearings.*

PARTS LIST			
ITEM	ORDER PART NO.	DESCRIPTION	ENG. DRAWING NO.
1	SSBCA	Shear Side Bearing Cap Assembly	06665
2	4000XTCAGE	4000XT Cage	07548

A. Stucki Company
Division of Hansen Inc.

2600 Neville Road
Pittsburgh, PA 15225

412-771-7300
www.stucki.com

TITLE
SSB-4000XT[®] Side Bearing

DRAWN VVB	DATE 08/02/04	CONTROL S	DRAWING NUMBER 07602	REV 003
--------------	------------------	--------------	-------------------------	------------