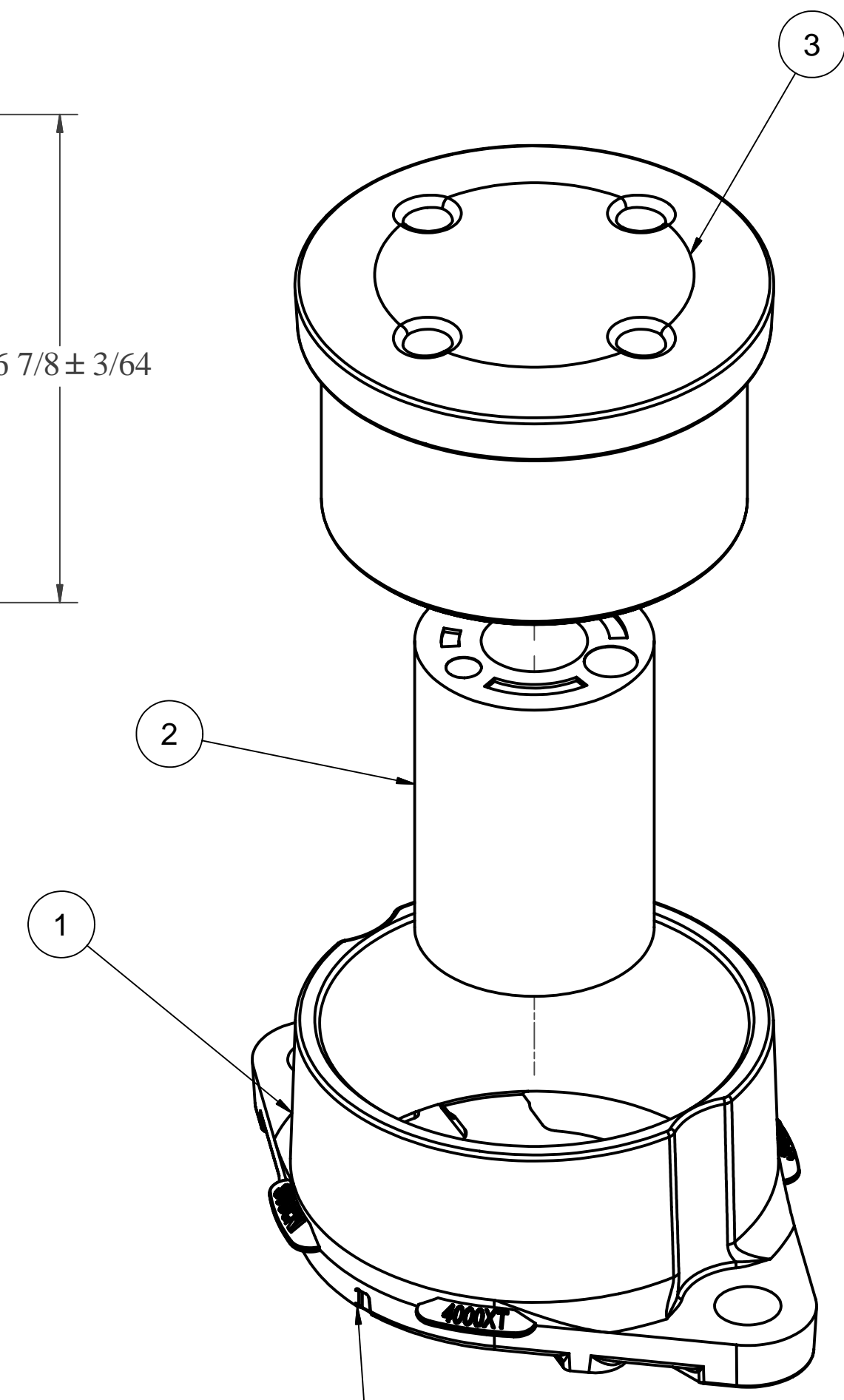
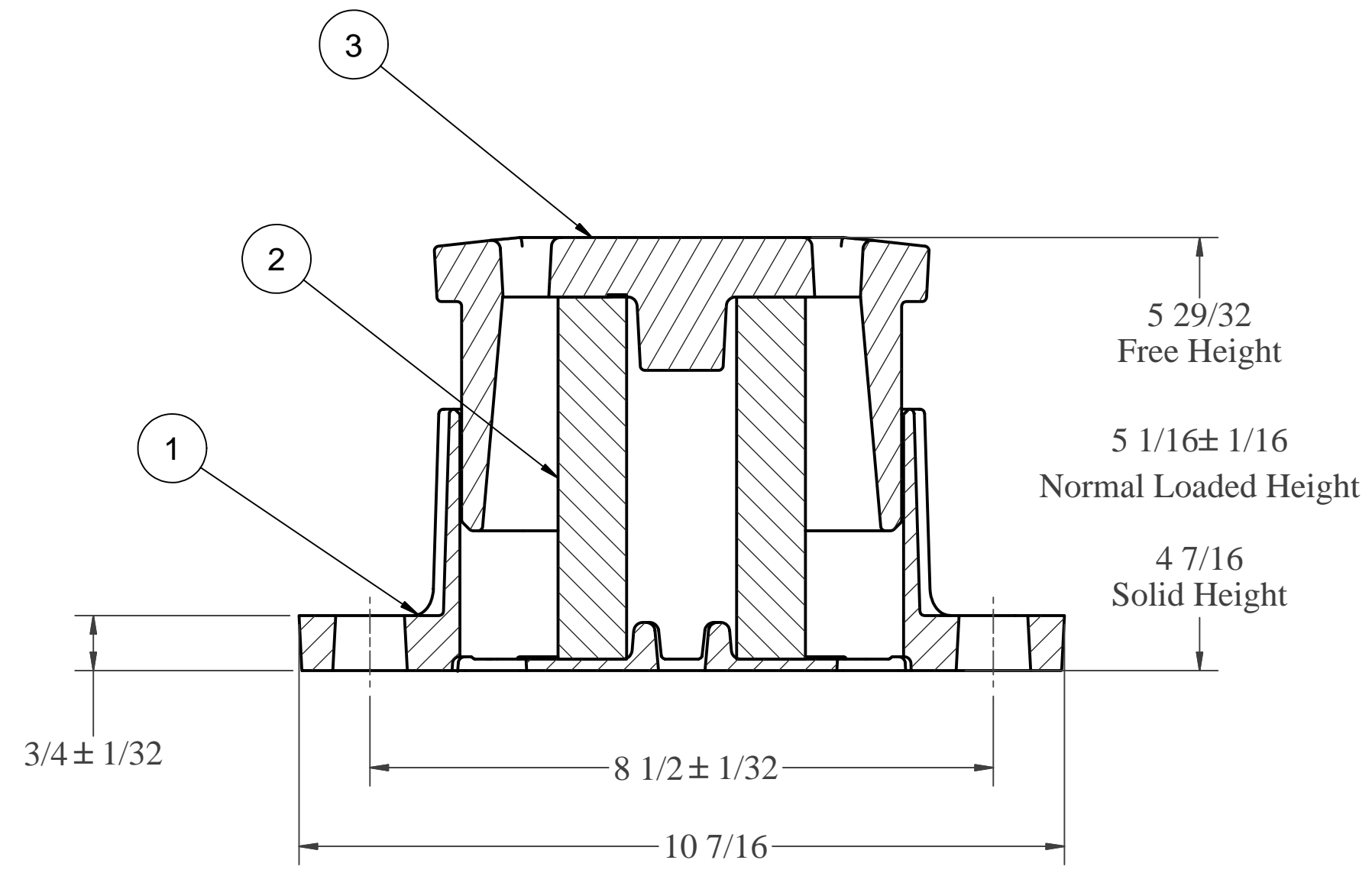


SECTION B-B



Preload Indicator
(4200 Lb. Nominal)
(1 Notch)



SECTION A-A

NOTES:

- Force at $5\ 1/16$ " = 4200 Lbs. per side bearing (at 75°F after initial relaxation).
- Meets requirements of M-948-77 when installed on cars with minimum car body weight of 19,764 Lbs.
- In normal operation, lateral and longitudinal motion is limited to $1/32$ " by solid stops.
- Must be installed in accordance with *Installation Instructions for Stucki CSB® Resilient Side Bearings.*

Parts List			
ITEM	ORDER PART NO.	DESCRIPTION	ENG. DRAWING NO.
1	4000XTCAGE	4000XT Cage	07548
2	CSBCOLUMN	CSB® Column	07594
3	CSBCAP	CSB® Wear Cap	07297

A. Stucki Company
Division of Hansen Inc.

2600 Neville Road
Pittsburgh, PA 15225

412-771-7300
www.stucki.com

TITLE
CSB-4000XT® Side Bearing

DRAWN	DATE	CONTROL	DRAWING NUMBER	REV
VVB	07/27/04 REVISED 11/19/04	S	07600	002