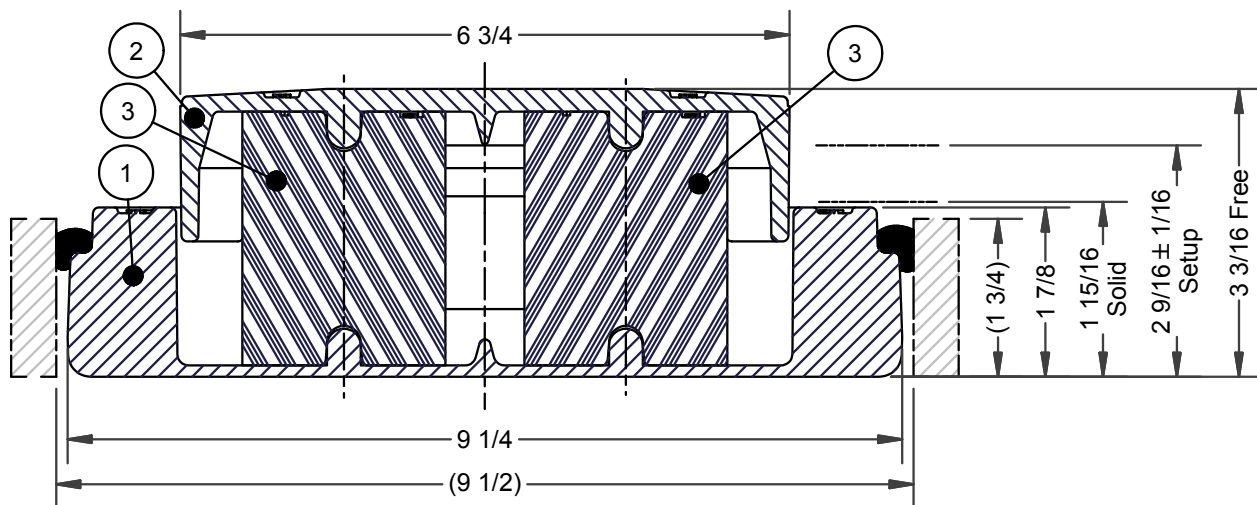
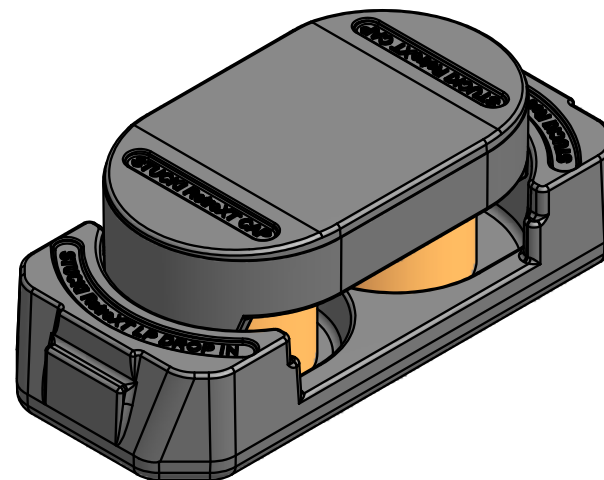
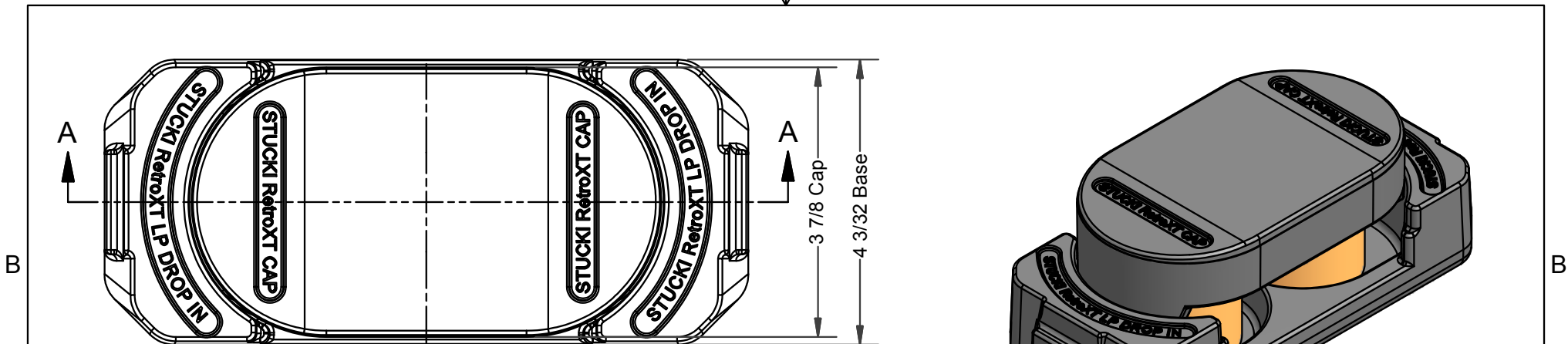


2



1



SECTION A-A

Notes:

1. Force at $2 \frac{9}{16}$ " = 4500 Lb per side bearing (at 75° F after initial relaxation).
2. Meets requirements of M-948-77 when installed on cars with a minimum car body weight of 21,176 lb.
3. Must be installed in accordance with *Installation Instructions for Stucki RetroXT LP Drop In Side Bearings*.

Parts List

Item	Qty Needed	Description	Order Part No	Eng Dwg No
1	1	RetroXT LP Drop In Base	RETROXT-LP-DROP-IN-BASE	07568
2	1	RetroXT Cap	RETROXT-CAP	07566
3	2	RB-57 Column	RB57	07567

A. Stucki Company

Division of Hansen Inc.

2600 Neville Road
Pittsburgh, PA 15225

412-771-7300
www.stucki.com

TITLE

RetroXT LP Drop In Side Bearing

DRAWN	DATE	CONTROL	DRAWING NUMBER	REV
JJD	07/13/04 REVISED 9/11/09	S	07562	006

2



1