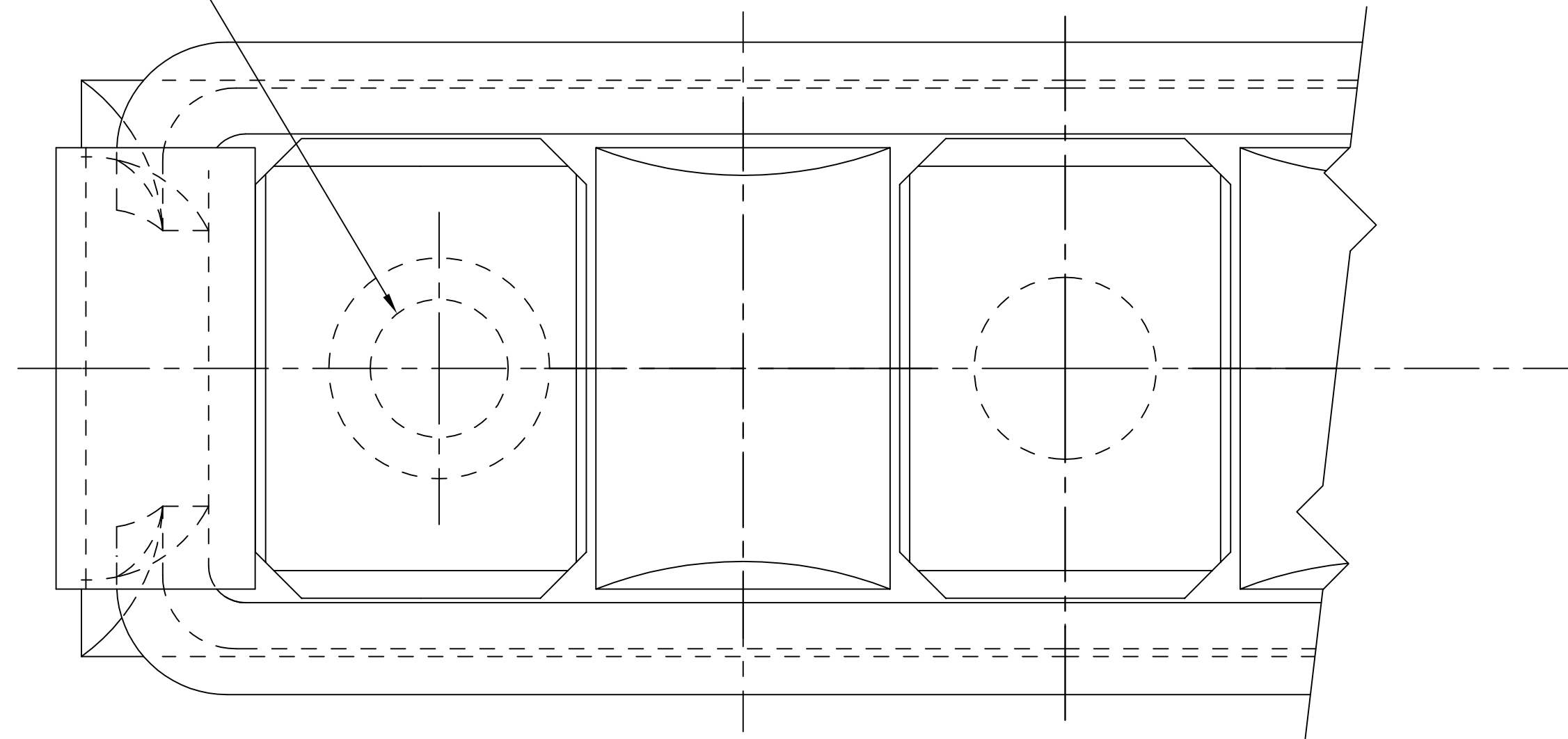
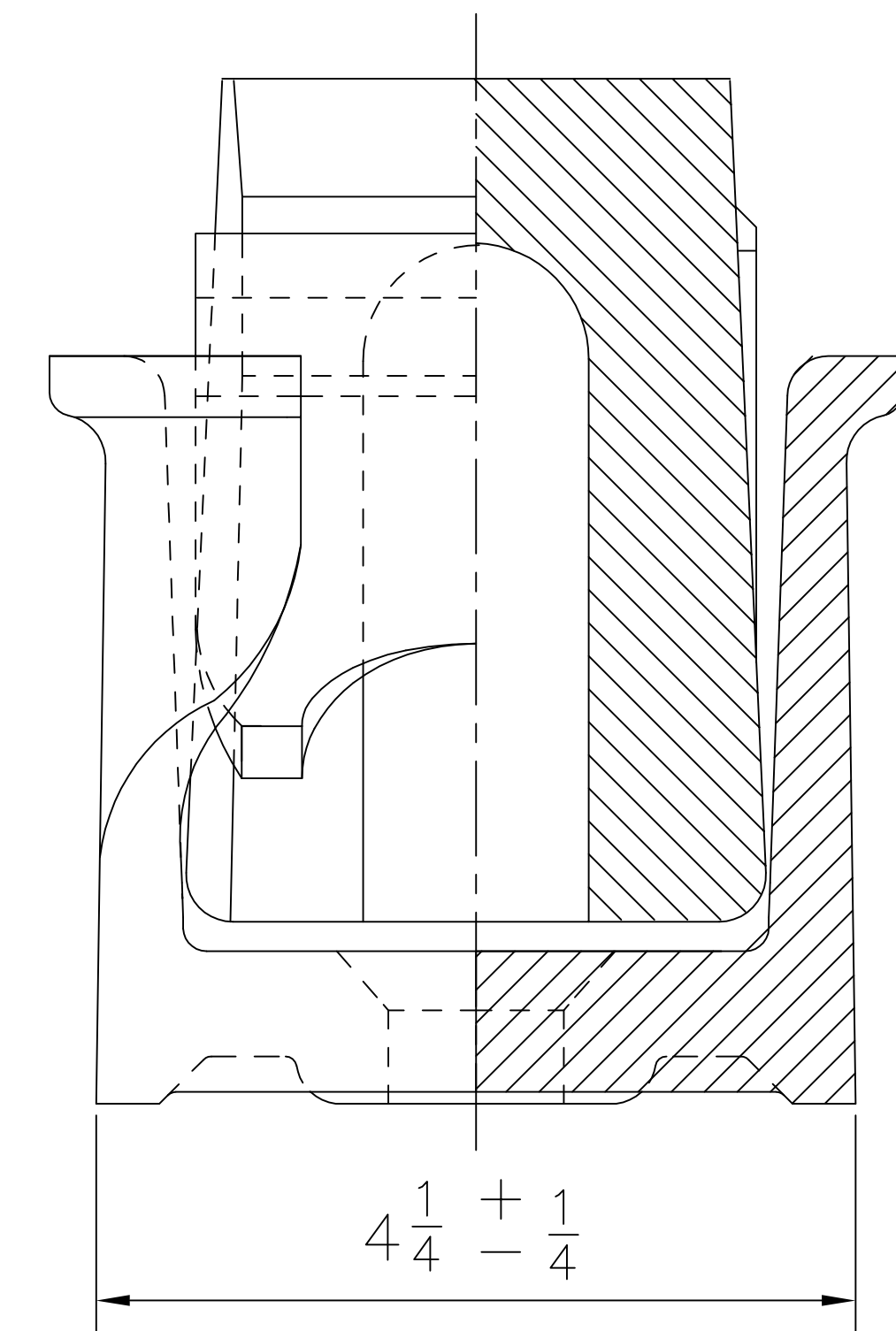
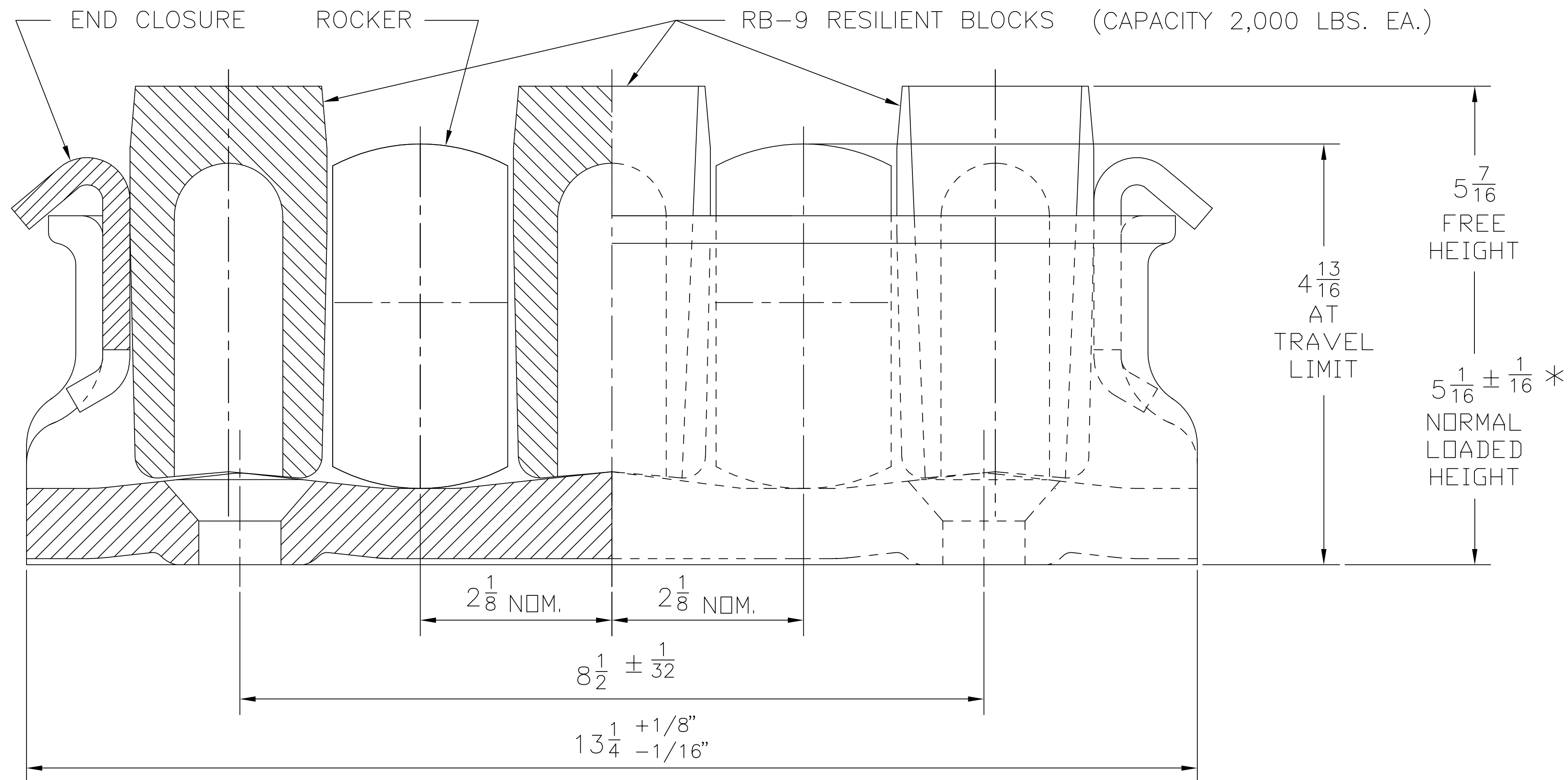


$\frac{15}{16}$ NOM. DIA. HOLES - $\frac{7}{8}$ DIA. COUNTERSUNK FASTENER, MAXIMUM CLAMPING FORCE MUST NOT EXCEED 35,000 LBS. PER FASTENER. HEAD MUST NOT PROJECT ABOVE ROLLER SLOPE SURFACE.



NOTES:

1. FORCE AT $5\frac{1}{16}$ = 6,000 LBS. PER SIDE BEARING.
2. MEETS REQUIREMENTS OF M-948-77 WHEN INSTALLED IN CARS WITH MINIMUM CARBODY WT. 28,250 LBS.
3. IN NORMAL OPERATION LATERAL OR LONGITUDINAL MOTION IS NOT IMPEDED BY SOLID STOPS.



CAGE BOTTOM FLATNESS MEETS A.A.R. SPEC. S-3013, FIG. 29-B

ROCKERS & CAGE HIGH CARBON ROLLED STEEL MILL VARIATIONS ALLOWED

* - MUST BE INSTALLED IN ACCORDANCE WITH "INSTALLATION INSTRUCTION FOR STUCKI 688-BR RESILIENT SIDE BEARINGS ON 100 AND 125 TON FREIGHT CARS".

A. STUCKI CO.	
TRUCK SIDE BEARING	
7-8-74	688-BR