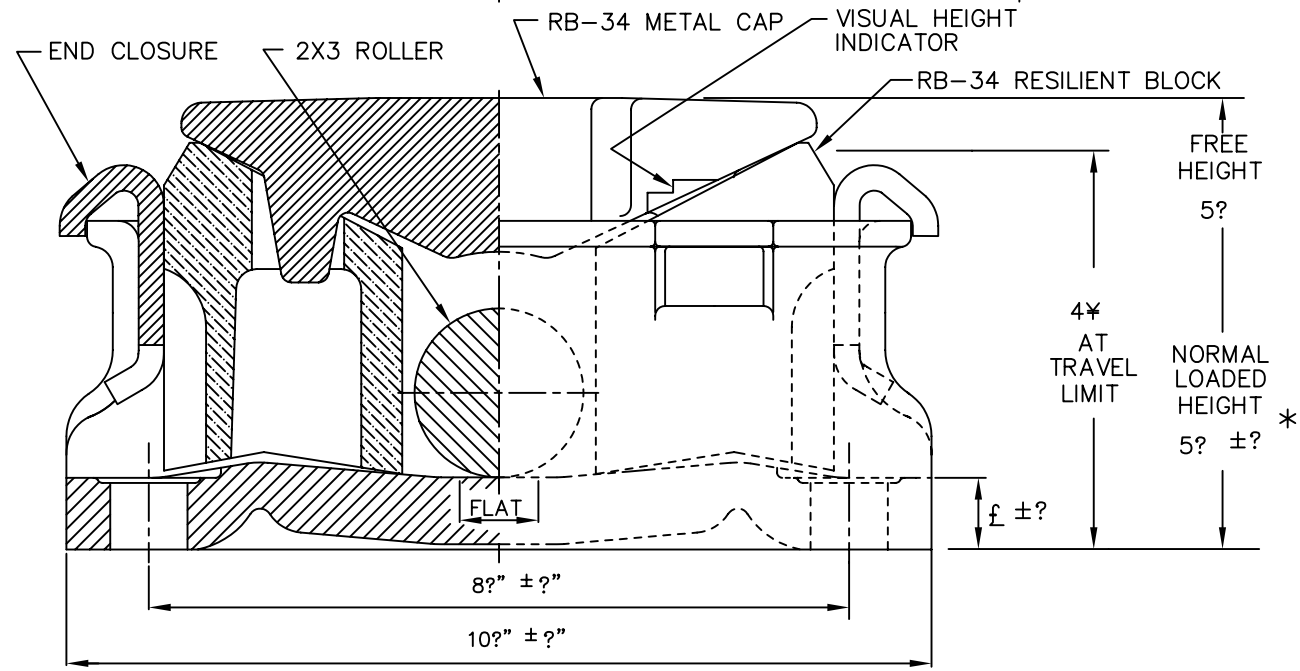
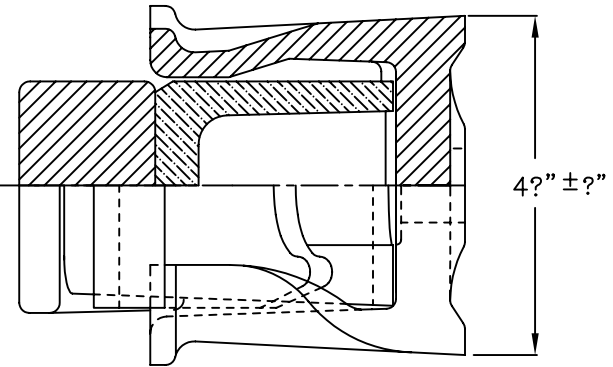




 ? NOM. DIA. HOLES - $\frac{1}{8}$ DIA. FASTENER, MAXIMUM CLAMPING FORCE MUST NOT EXCEED 30,000 LBS. PER FASTENER.



- NOTES:
1. FORCE AT 5" = 4,500 LBS. PER SIDE BEARING. (AT 75° F, AFTER INITIAL RELAXATION)
 2. MEETS REQUIREMENTS OF M-948-77 WHEN INSTALLED ON TRUCKS SUPPORTING 10,588 LBS. OR MORE.
 3. IN NORMAL OPERATION LATERAL OR LONGITUDINAL MOTION IS NOT IMPEDED BY SOLID STOPS.
 4. LATERAL MOTION IS LIMITED TO ? BY SOLID STOPS.

CAGE BOTTOM FLATNESS
 MEETS A.A.R. SPEC.
 S-3013, FIG. 29-B

HIGH CARBON ROLLED STEEL CAGE
 MILL VARIATIONS ALLOWED

* - MUST BE INSTALLED IN ACCORDANCE WITH, "INSTALLATION INSTRUCTION FOR STUCKI 685-RM RESILIENT SIDE BEARINGS.

A. Stucki Company
Division of Hansen Inc.

2600 Neville Road
 Pittsburgh, PA 15225
 412-771-7300
 www.stucki.com

TITLE
685-RM Side Bearing

DRAWN	DATE	CONTROL	DRAWING NUMBER	REV
JJD	8/1/02	S	07183	002
	REVISED			
	8/9/04			