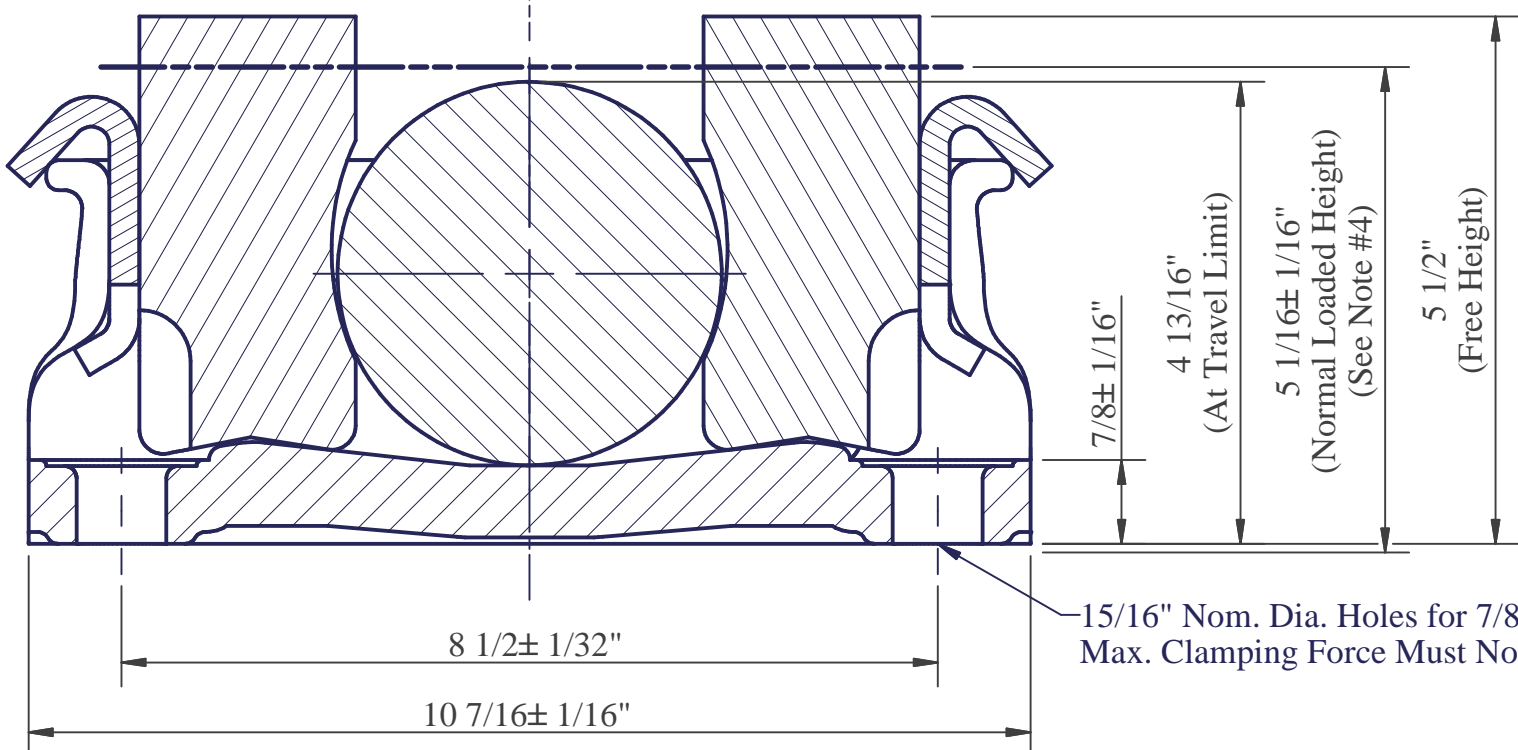


**SECTION B-B**

**SECTION A-A**

**Notes:**

1. Force at normally loaded height of 5 1/16" = 6000 Lbs. per side bearing.
2. Meets requirements of M-948-77 when installed in cars with minimum carbody weight of 28,240 Lbs.
3. In normal operation lateral or longitudinal motion is not impeded by solid stops.
4. Must be installed in accordance with installation instructions for STUCKI 656-CR resilient side bearings on 50 and 70 ton freight cars.
5. Roller and cage made from high carbon rolled steel (mill variations allowed).
6. Cage bottom flatness meets A.A.R. Spec. S-3013, Fig. 29-B



15/16" Nom. Dia. Holes for 7/8" Dia. Fasteners  
Max. Clamping Force Must Not Exceed 30,000 Lbs. per Fastener.

**A. Stucki Company**

Division of Hansen Inc.

2600 Neville Road  
Pittsburgh, PA 15225

412-771-7300  
www.stucki.com

TITLE

**656-CR Side Bearing**

DRAWN	DATE	CONTROL	DRAWING NUMBER	REV
JJD	8/1/02	S	07177	001
	REVISED			