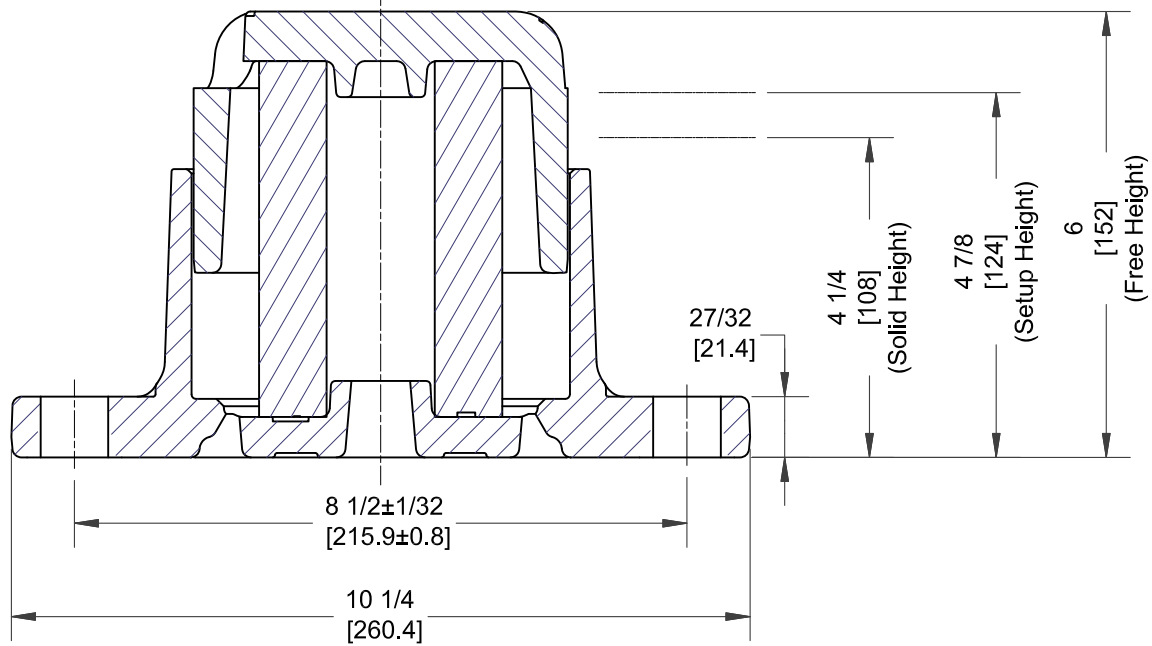


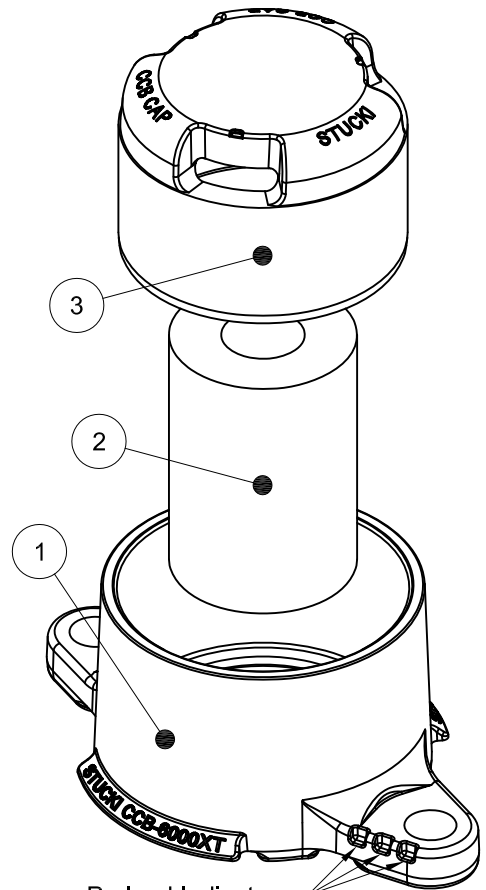
Ø6 3/4
[Ø171.5]

Ø 21.5 mm Clearance Hole
for Ø 20 mm Fastener



SECTION A-A

- Notes:
1. Preload at 124 mm = 2,550 kg per side bearing.
 2. Force at 108 mm = 7,000 kg per side bearing.
 3. Meets requirements of M-948 when installed on cars with a minimum car body weight of 12,000 kg.
 4. Capable of withstanding 45 metric ton intermittent loading based on Section 2.7 of M-948 (2006 Revision).



Preload Indicators
(3 Notches = 2,550 kg)

| | | | | |
|--|----------------|--------------|--------------------------------|------------|
| A. Stucki Company | | | | |
| Division of Hansen Inc. | | | | |
| 2600 Neville Road Pittsburgh, PA 15225 | | | 412-771-7300 www.stucki.com | |
| TITLE CCB-6000XT Side Bearing for 4 7/8" (124 mm) Setup Height | | | | |
| DRAWN VVB | DATE 7/3/02 | CONTROL S | DRAWING NUMBER 07162/P2 | REV 006 |

2

1