

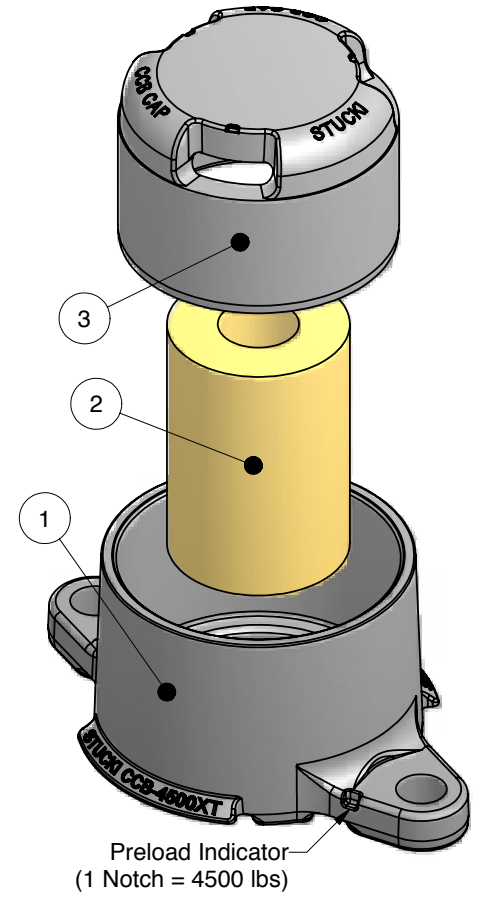
SECTION A-A

Notes:

1. Force at 5 1/16" = 4500 Lb per side bearing (at 75° F after initial relaxation).
2. Meets requirements of M-948-77 when installed on cars with a minimum car body weight of 21,177 lb.
3. In normal operation, lateral and longitudinal motion is limited to 1/32" by solid stops.
4. Must be installed in accordance with *Installation Instructions for Stucki Resilient Side Bearings*.
5. Old style Cap (Dwg# 07058) & Cage (Dwg# 07117) are fully interchangeable with new style Cap (Dwg# 07367) & Cage (Dwg# 07752)

1

Parts List				
Item	Qty	Description	Order Part No	Eng Dwg No
1	1	CCB-4500XT Cage	CCB4500XTCAGE	07752
2	1	CSB Column	CSBCOLUMN	07594
3	1	CCB Cap	CCBCAP	07367



A. Stucki Company
Division of Hansen Inc.

2600 Neville Road
Pittsburgh, PA 15225

412-771-7300
www.stucki.com

TITLE
CCB-4500XT Side Bearing

DRAWN VVB	DATE 6/3/02	CONTROL S	DRAWING NUMBER 07161	REV 005
--------------	----------------	--------------	-------------------------	------------