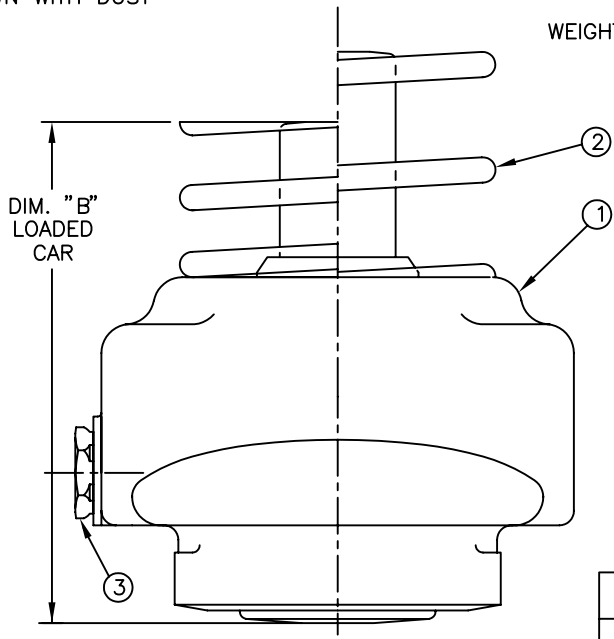
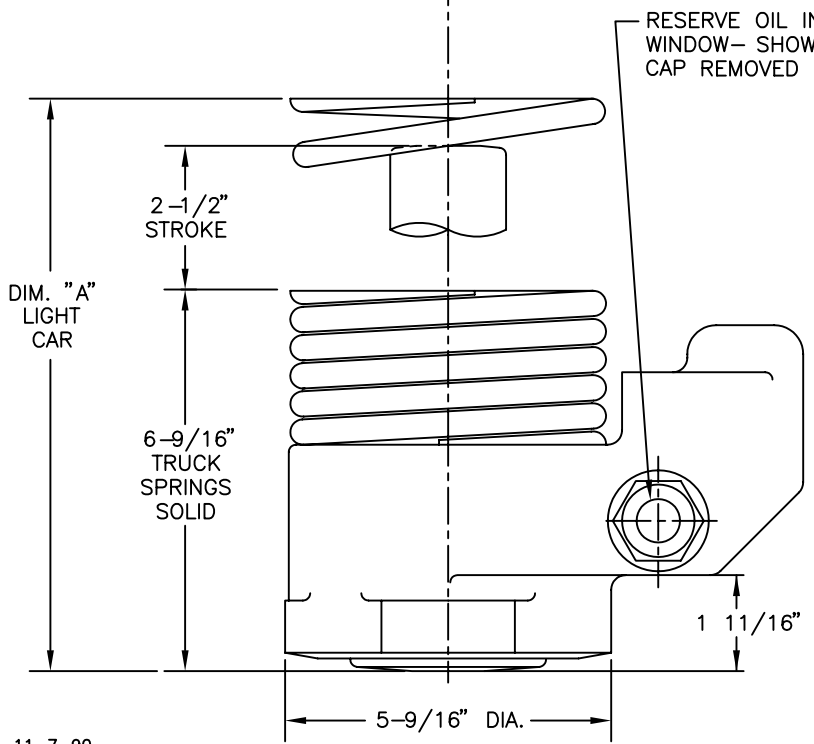


DIMENSIONS "A" AND "B" ARE DETERMINED BY THE SPRING GROUP ARRANGEMENT. TYPICAL SPRING GROUPS AND CORRESPONDING HEIGHT FOR 100 TON CARS ARE LISTED ON DRAWINGS SA-A-02170-A AND SA-A-02171-A. OTHER ARRANGEMENTS AVAILABLE UPON REQUEST.

PARTS DESCRIPTION

- ① STABILIZER BODY
- ② BODY SPRING
- ③ SIGHT WINDOW DUST COVER



A. STUCKI CO.	
HS-7 RIDE STABILIZER	
2-26-73	SA-0-01350-A